



Code:102C
سیستم توری رولیکا
Mesh Screens System
Page: 120



Code:102A
سیستم توری پلایس
Lace Pleated System
Page: 108



Code:102D
سیستم پرده هوا
Air Curtains System
Page: 122



Code:102B
سیستم پرده زبرا
Zebra Blind System
Page: 114

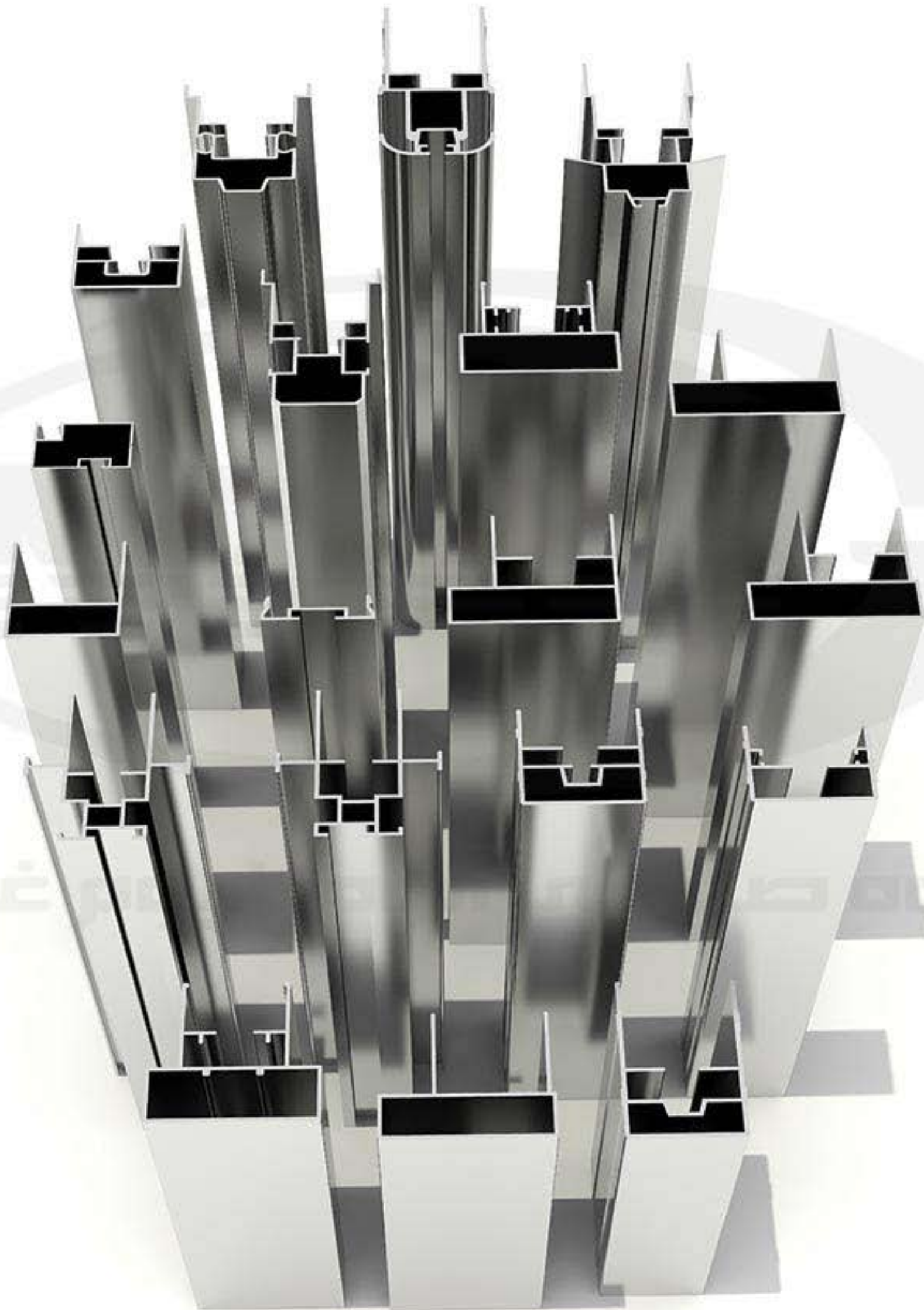




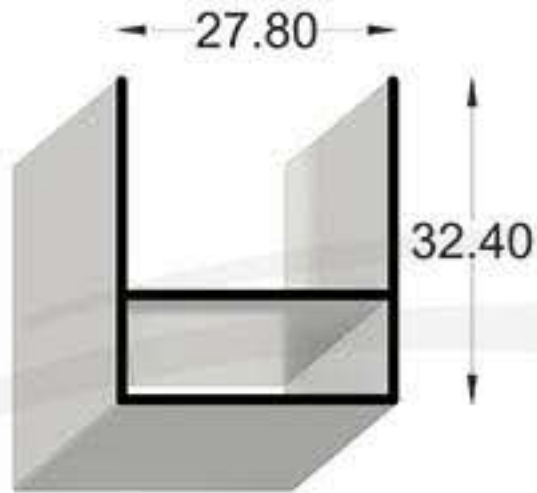
Gride System

GHADIR ALUMINIUM IND. GROUP

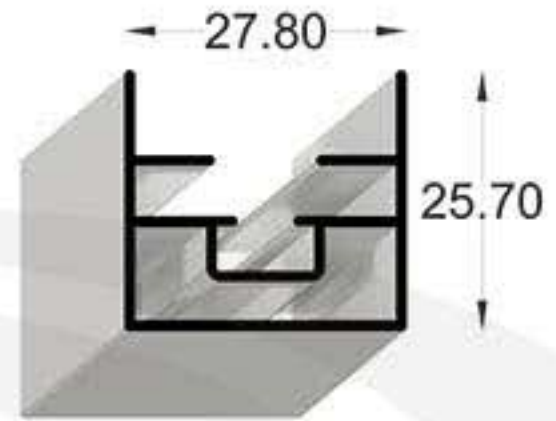




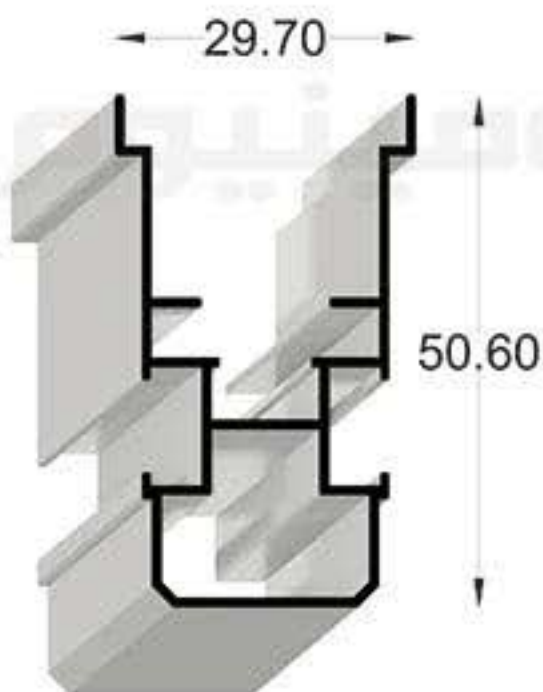
Code:102A



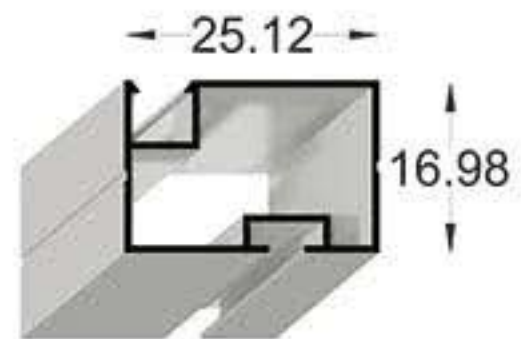
102A-1
330 gr/m



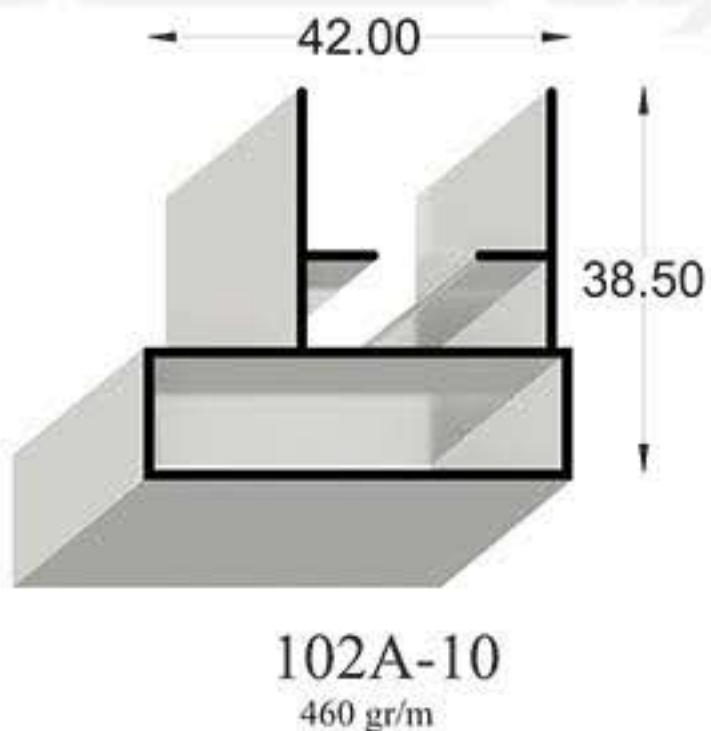
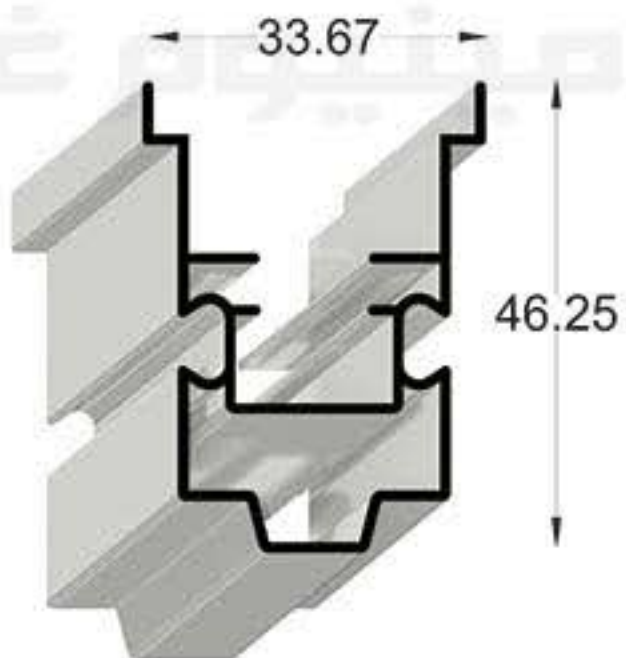
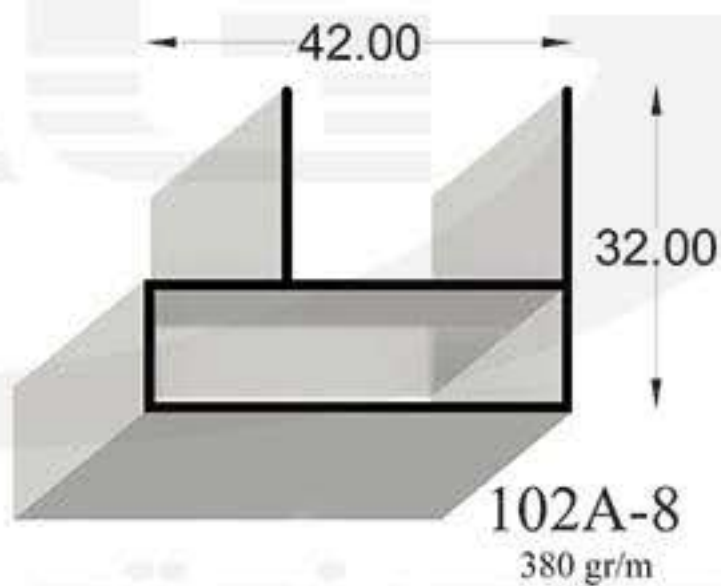
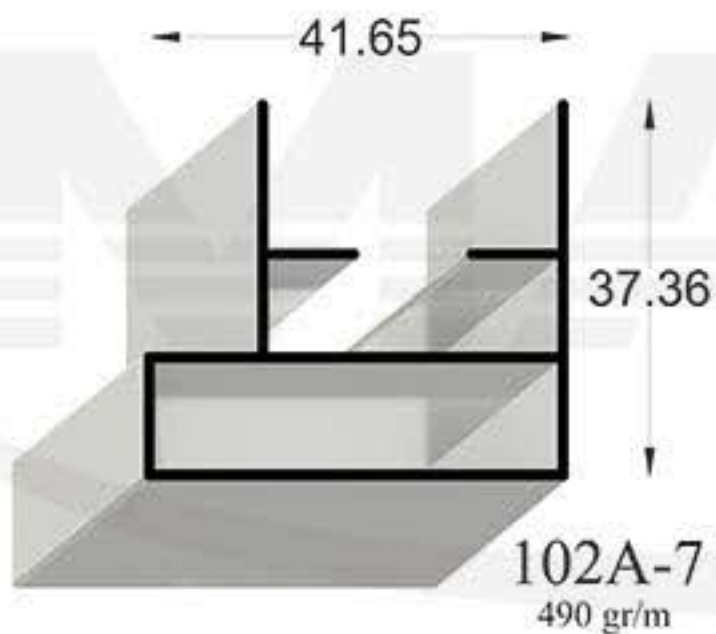
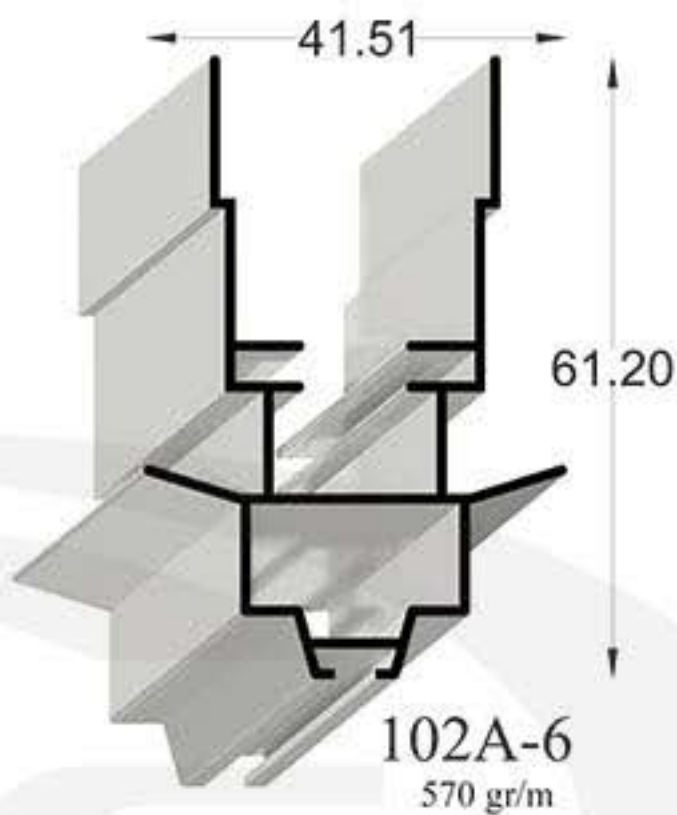
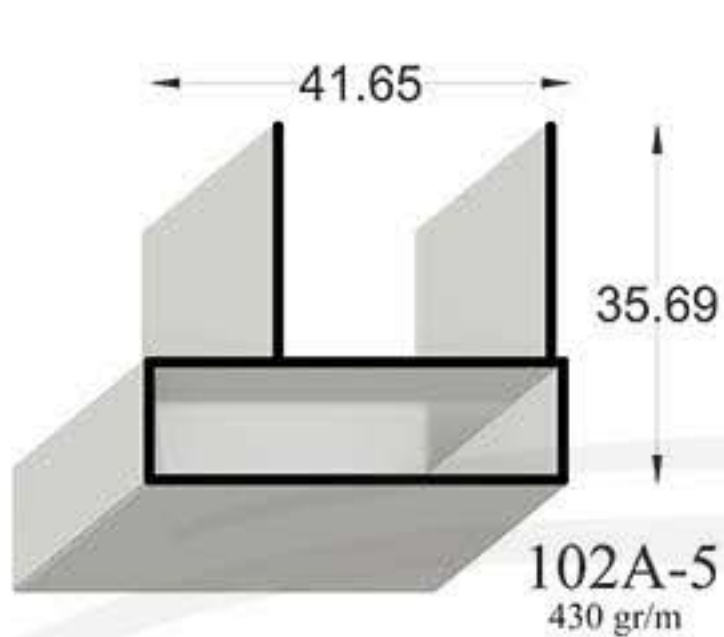
102A-2
370 gr/m

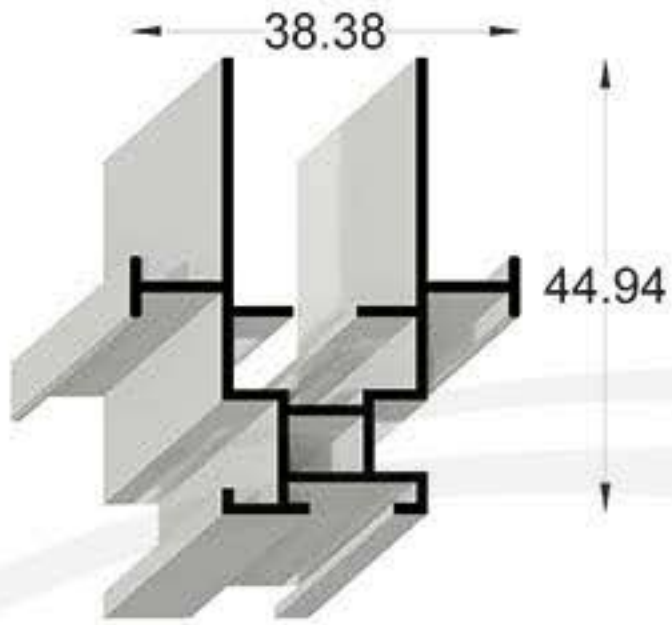


102A-3
470 gr/m

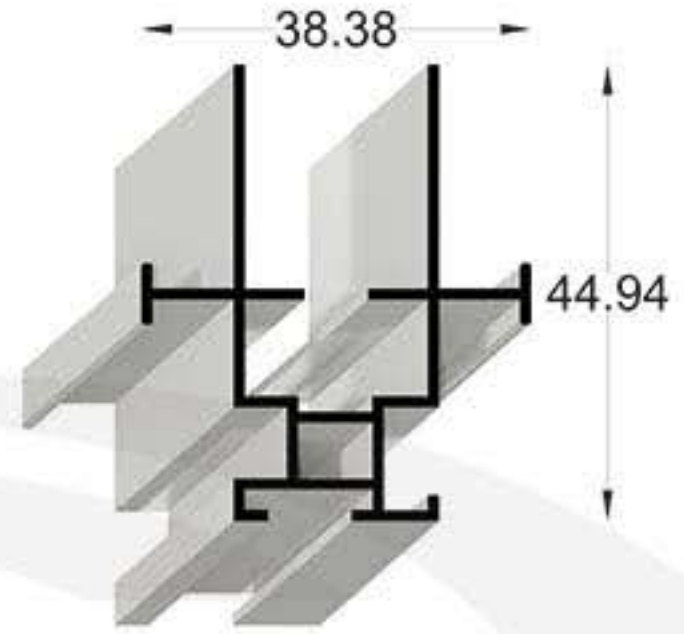


102A-4
180 gr/m

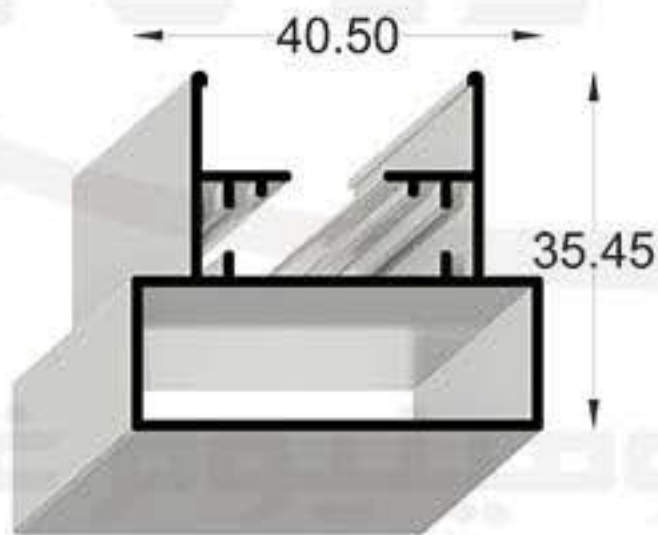




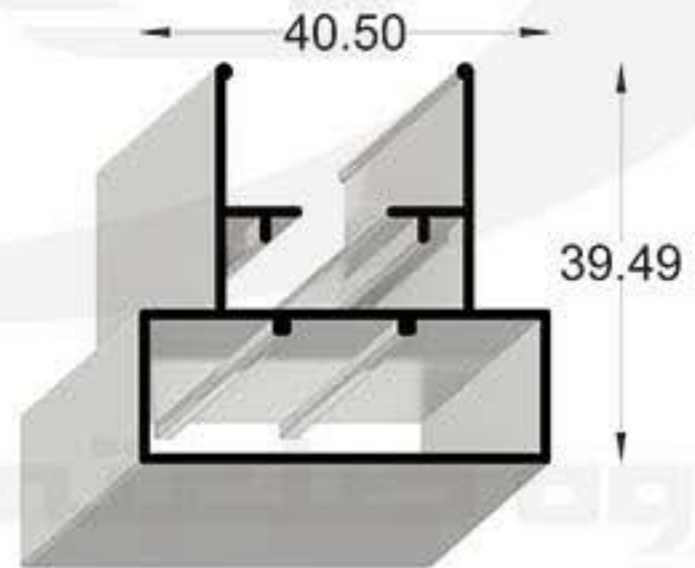
102A-11
500 gr/m



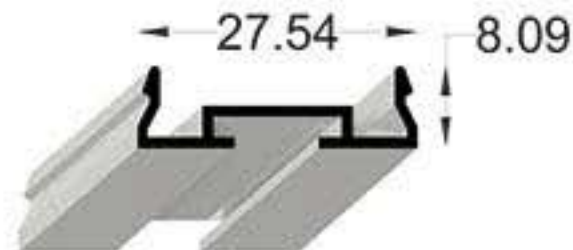
102A-12
500 gr/m



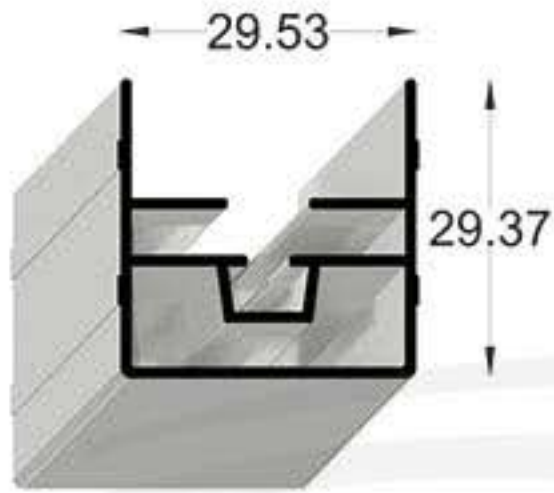
102A-13
520 gr/m



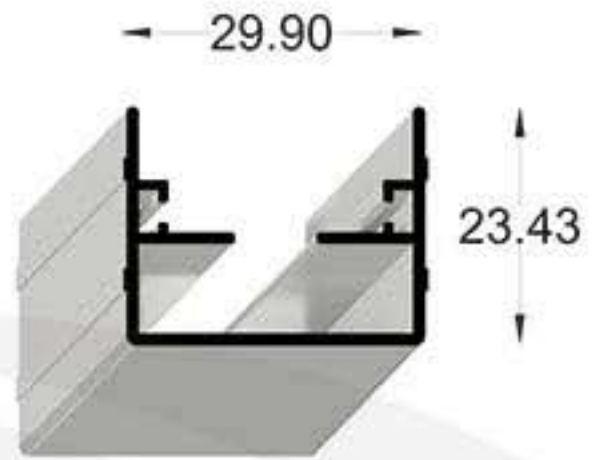
102A-14
520 gr/m



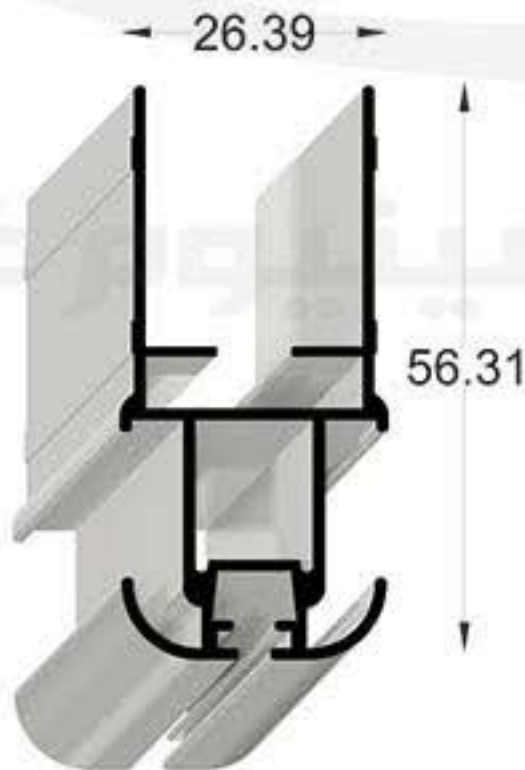
102A-15
160 gr/m



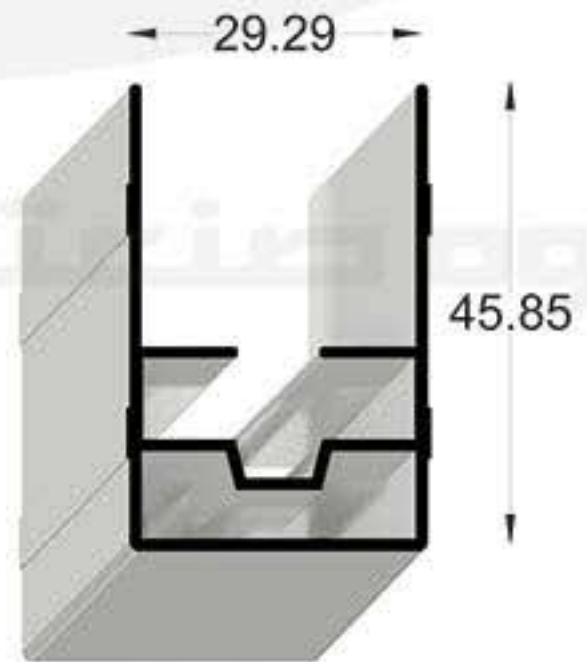
102A-16
430 gr/m



102A-17
330 gr/m



102A-18
650 gr/m



102A-19
570 gr/m



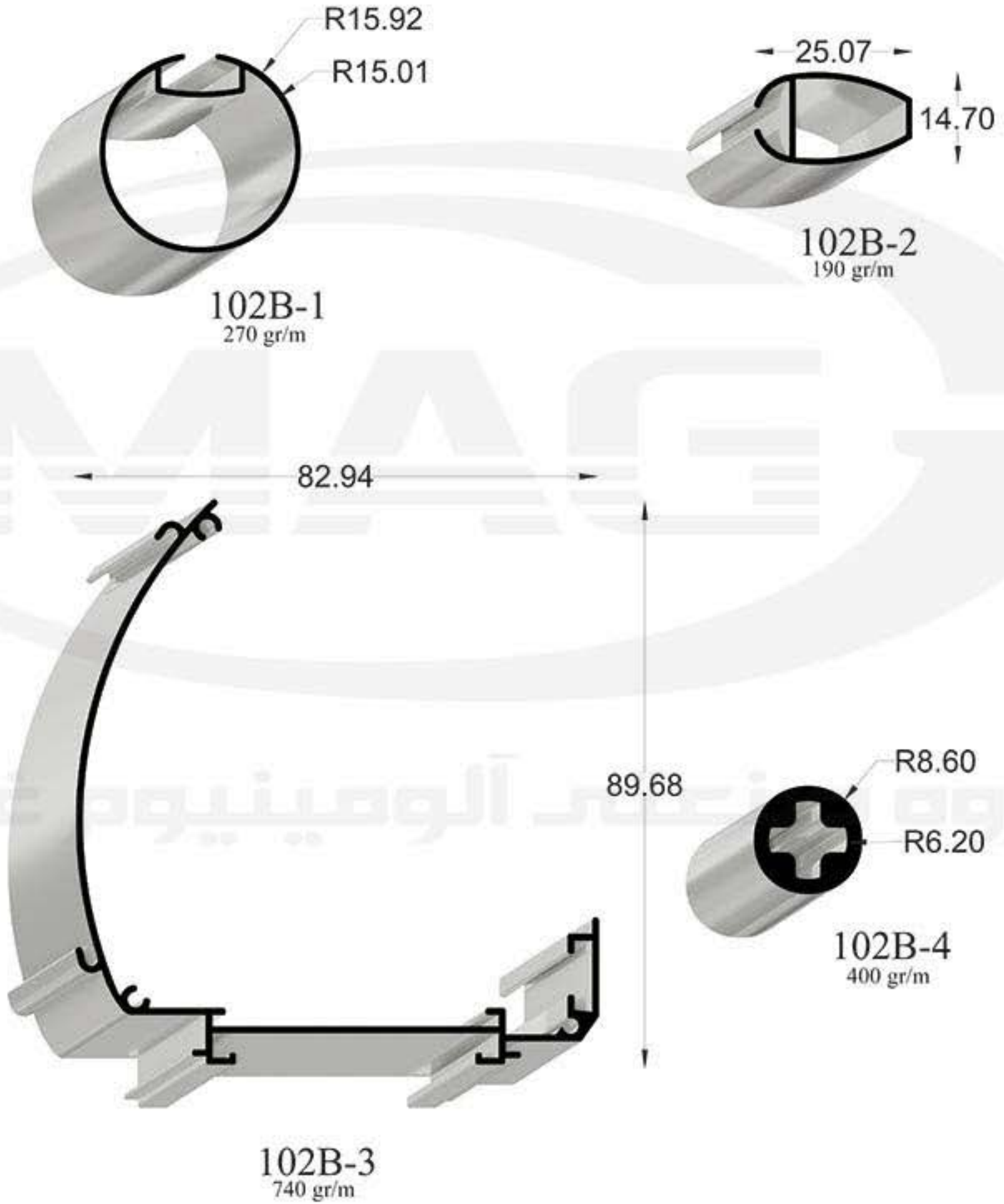
Code 102A

GHADIR ALUMINIUM IND. GROUP



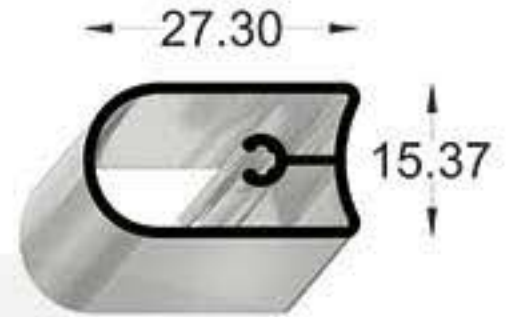


Code:102B





102B-5
250 gr/m



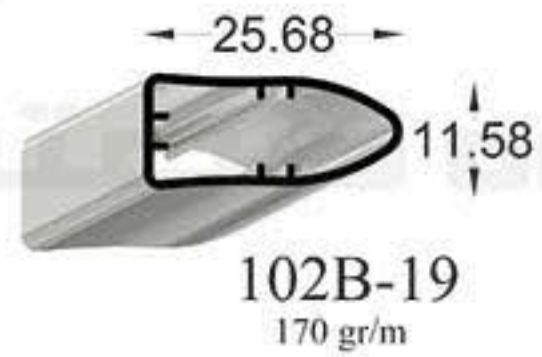
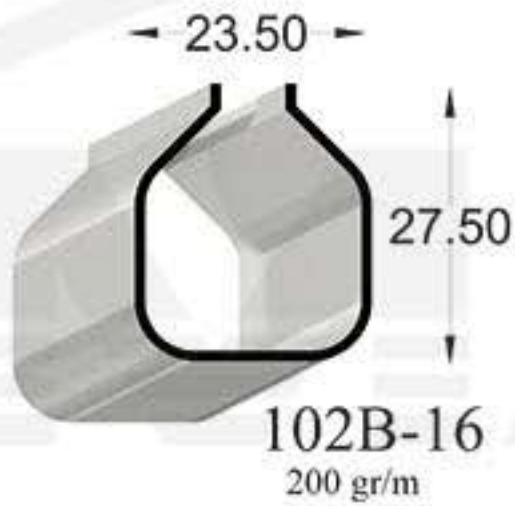
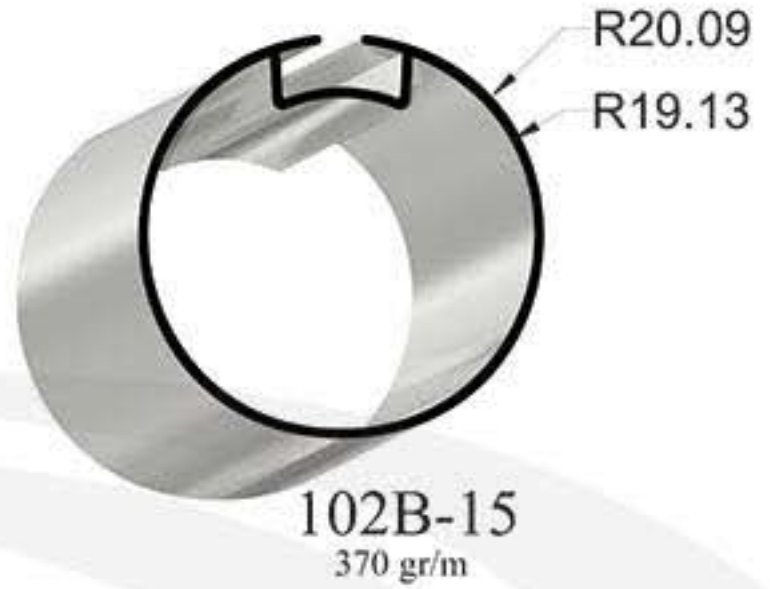
102B-6
270 gr/m



102B-7
640 gr/m



102B-8
250 gr/m





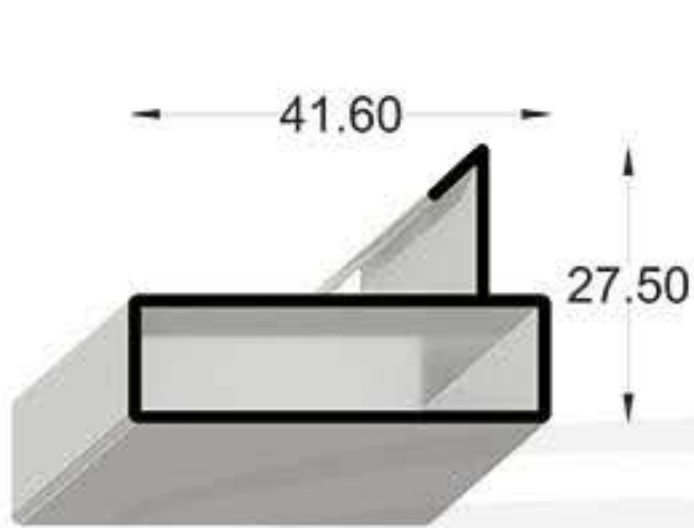
Code 102B

GHADIR ALUMINIUM IND. GROUP

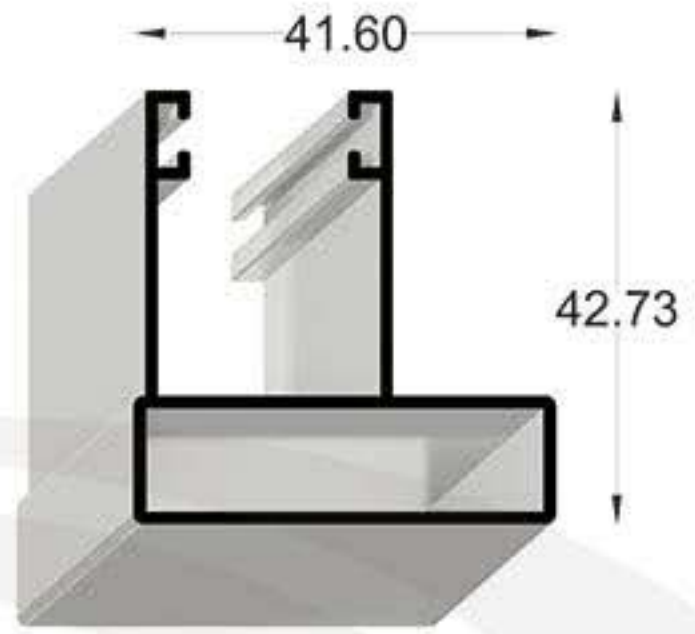




Code:102C



102C-1
415 gr/m



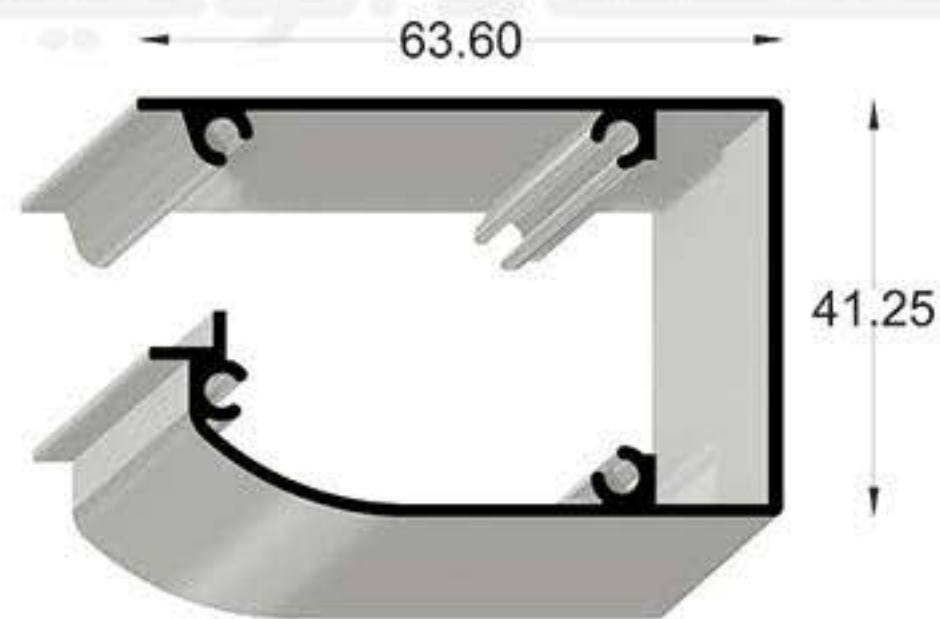
102C-2
610 gr/m



102C-3
390 gr/m



102C-4
290 gr/m



102C-5
800 gr/m



Code:1020

