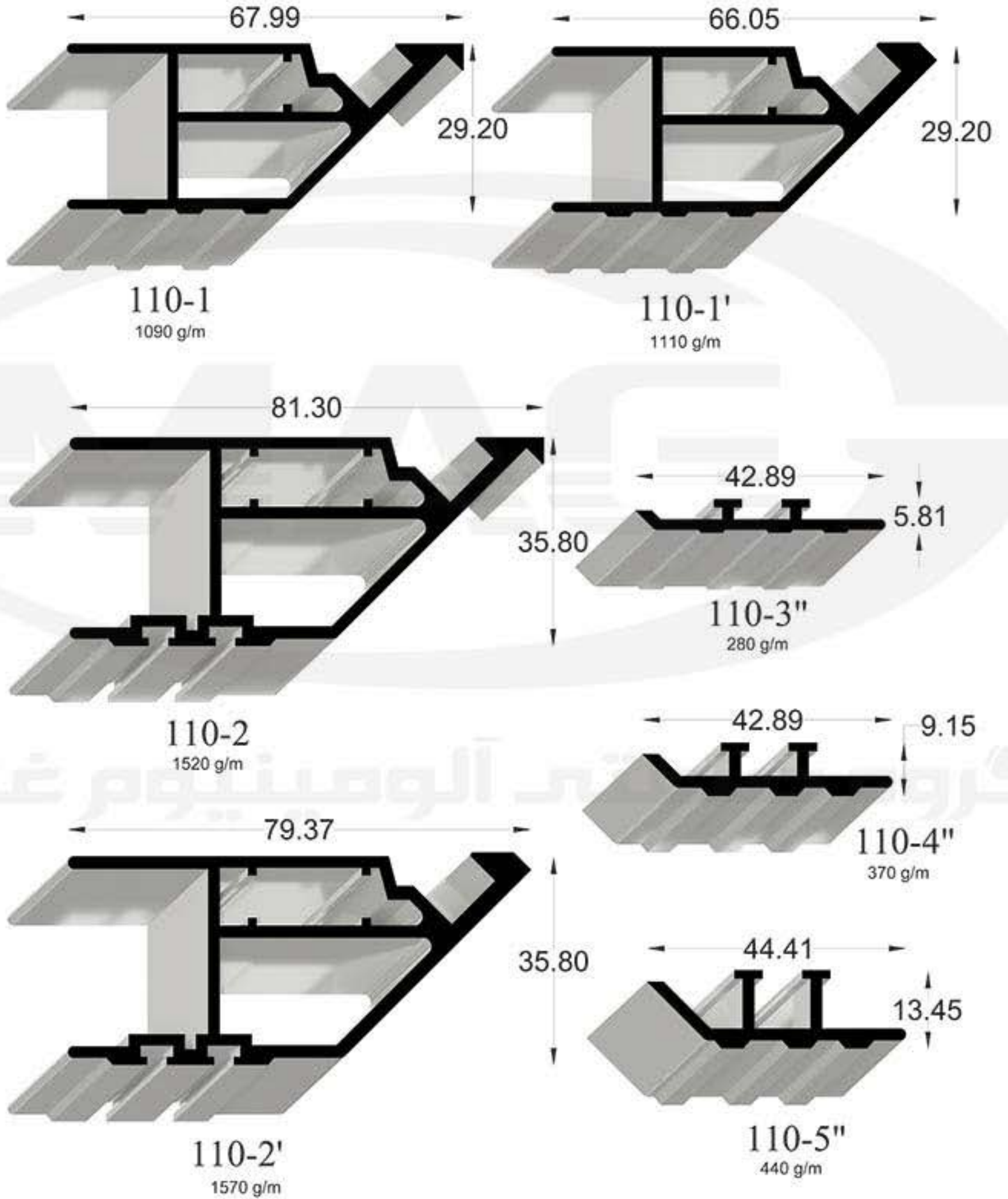
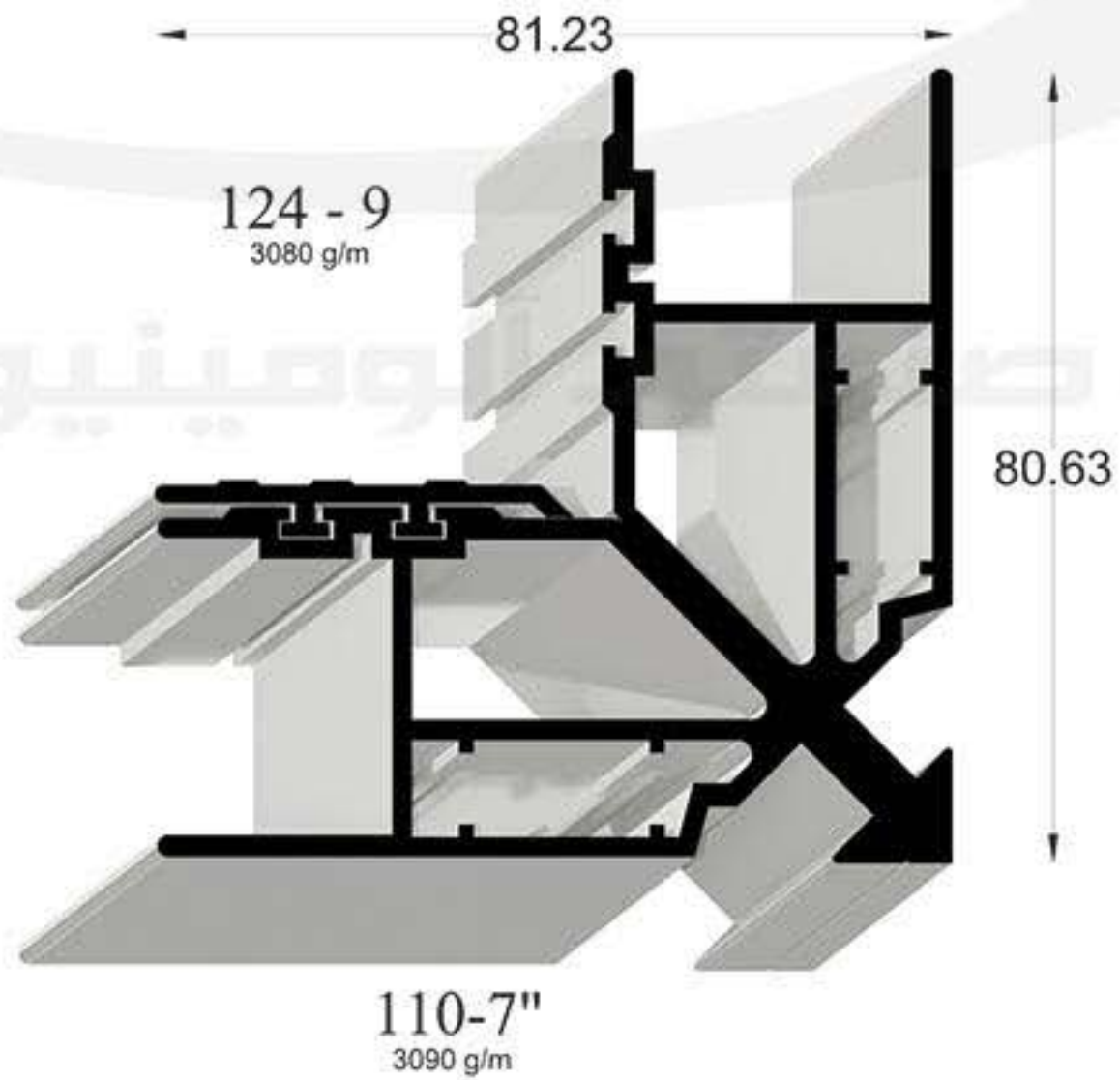
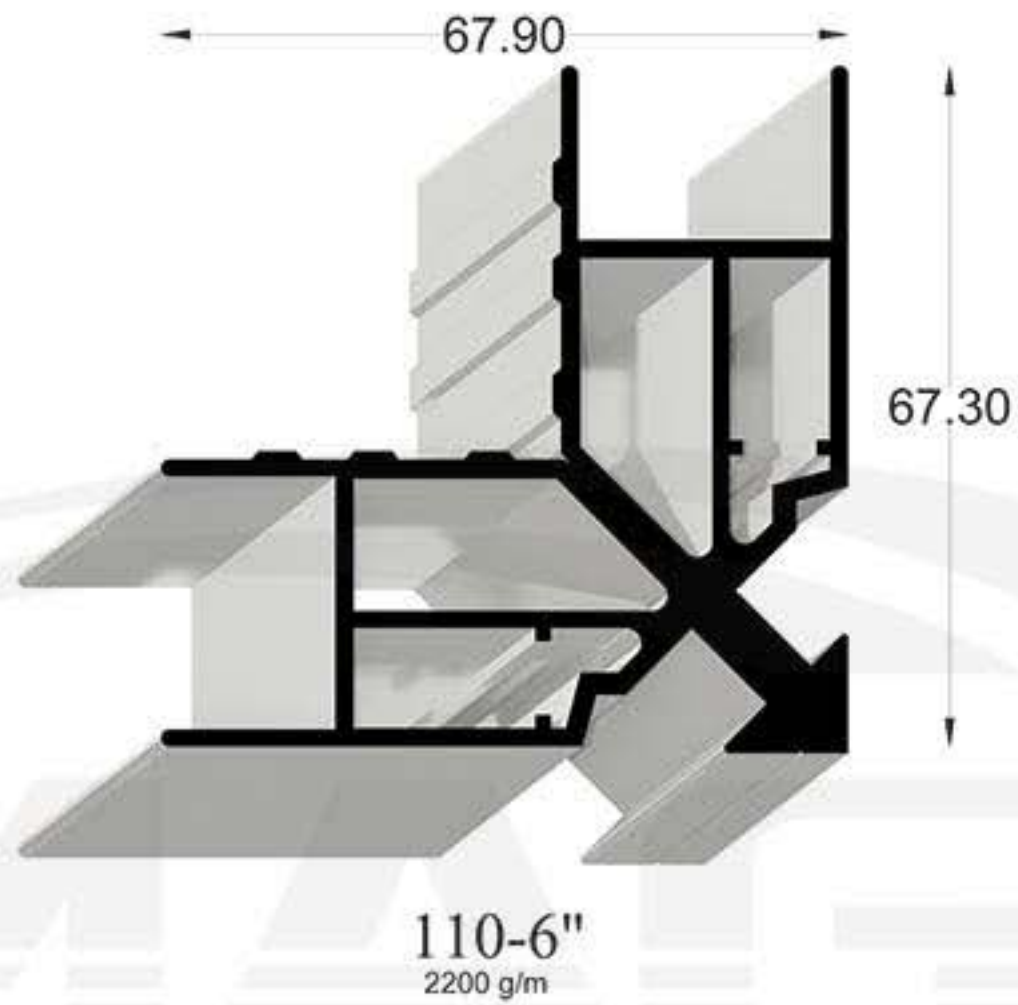
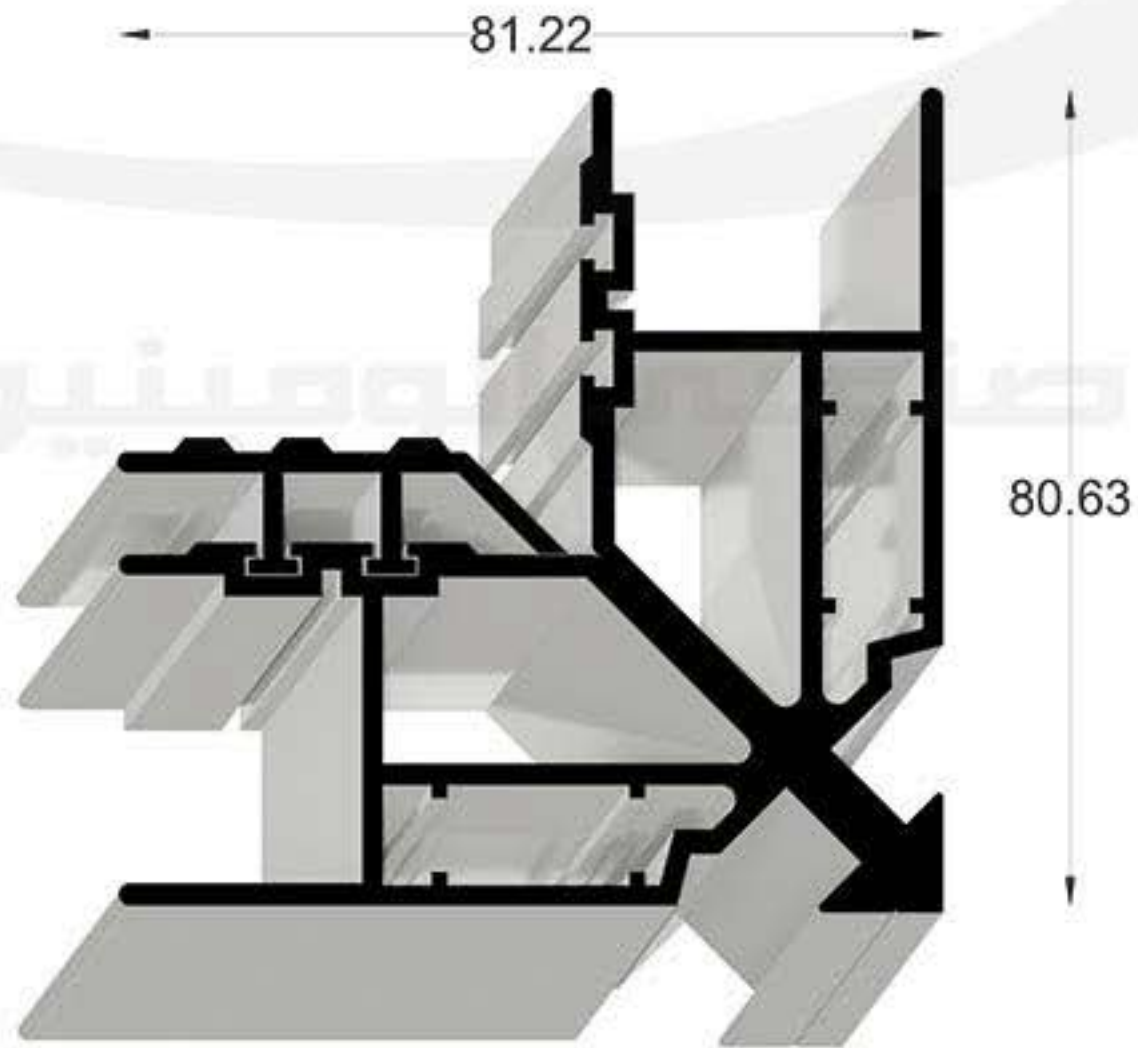
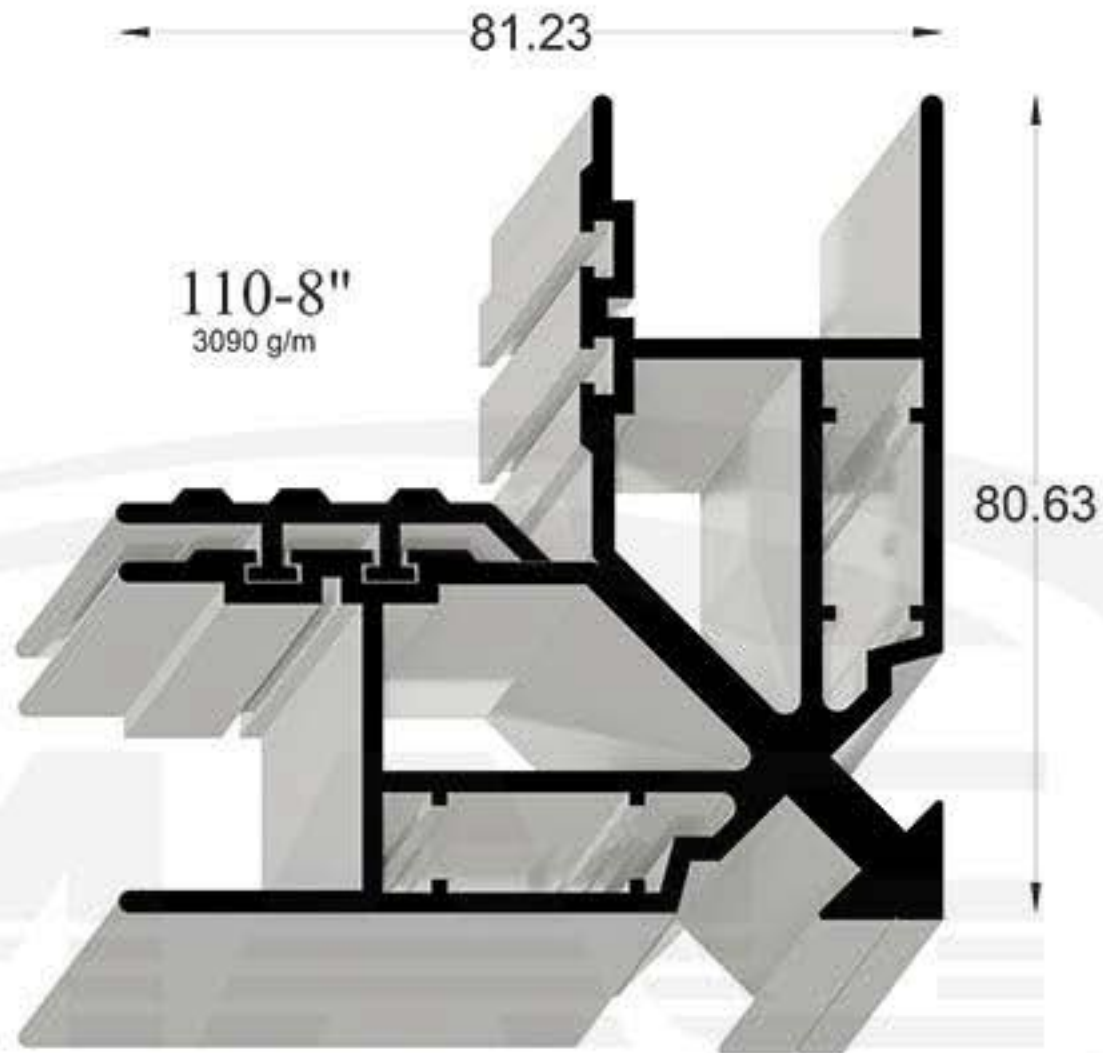


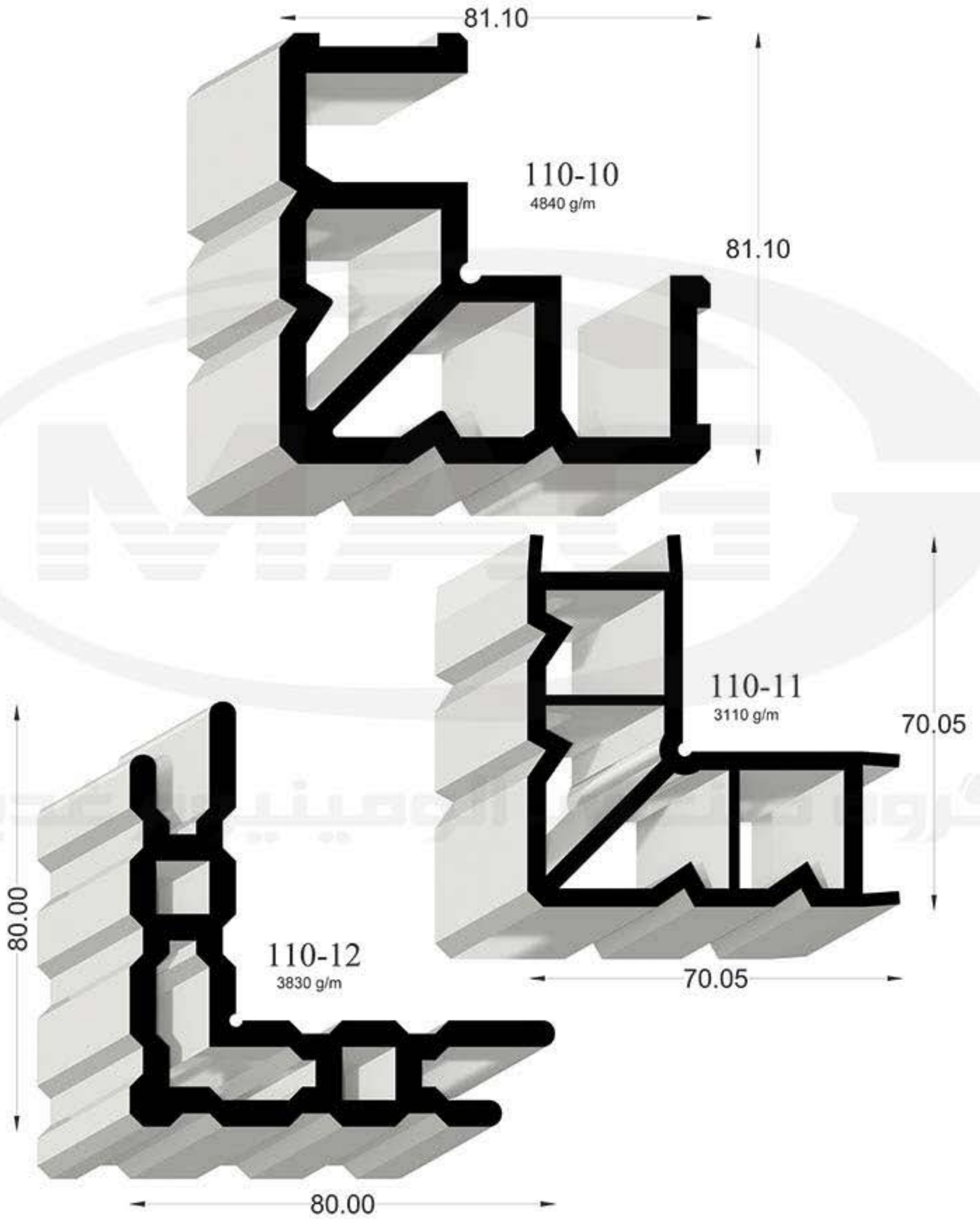


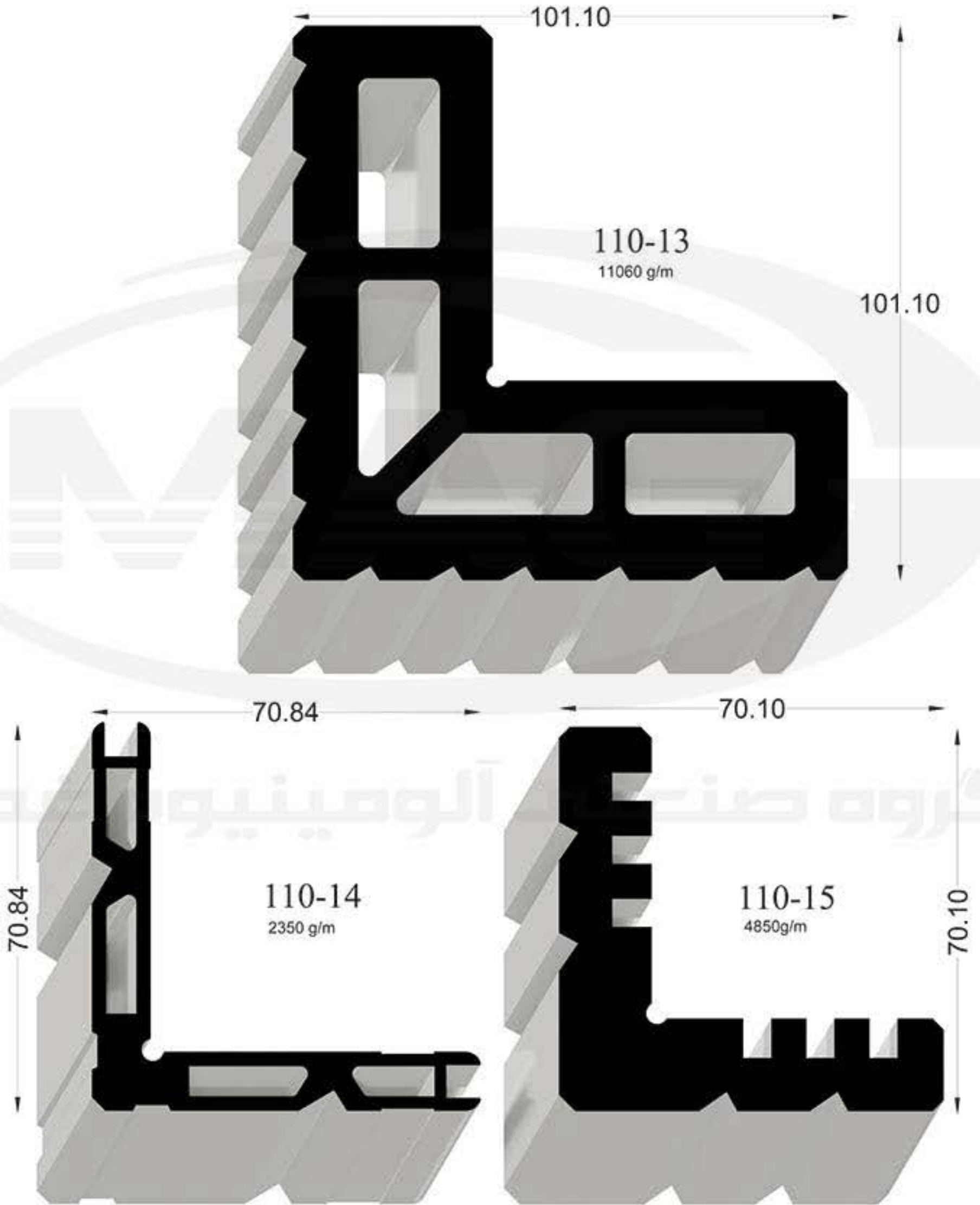
Code:110

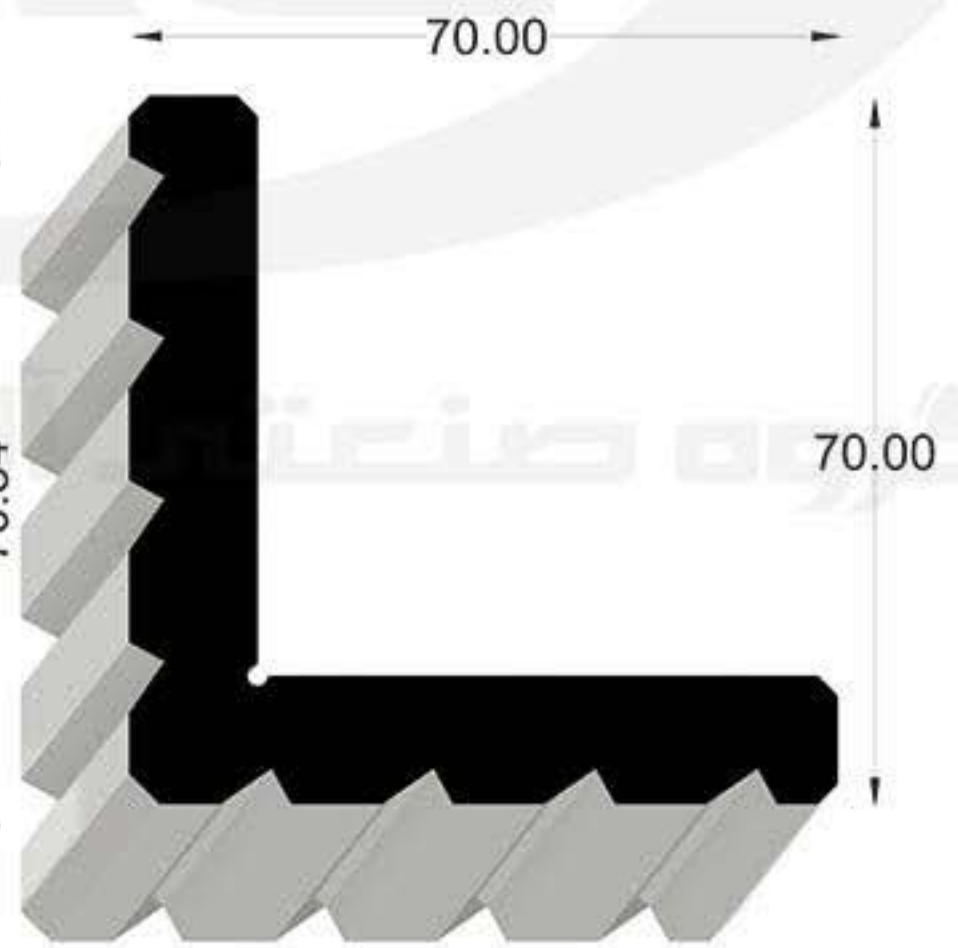
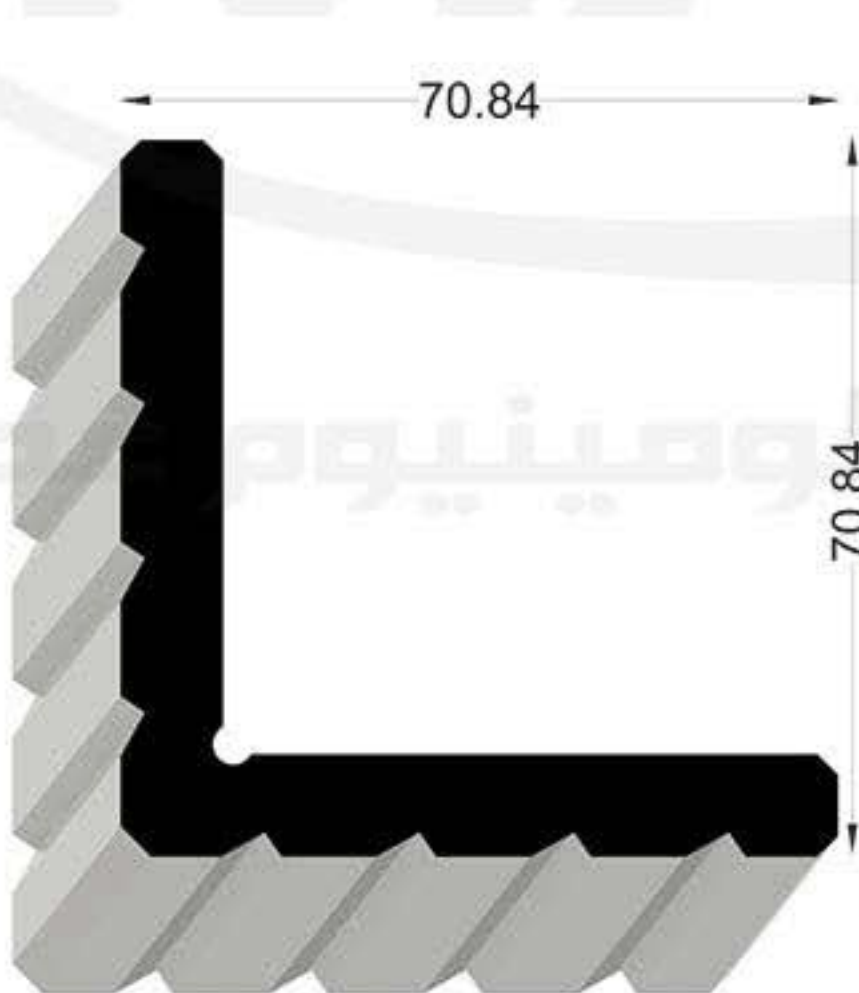
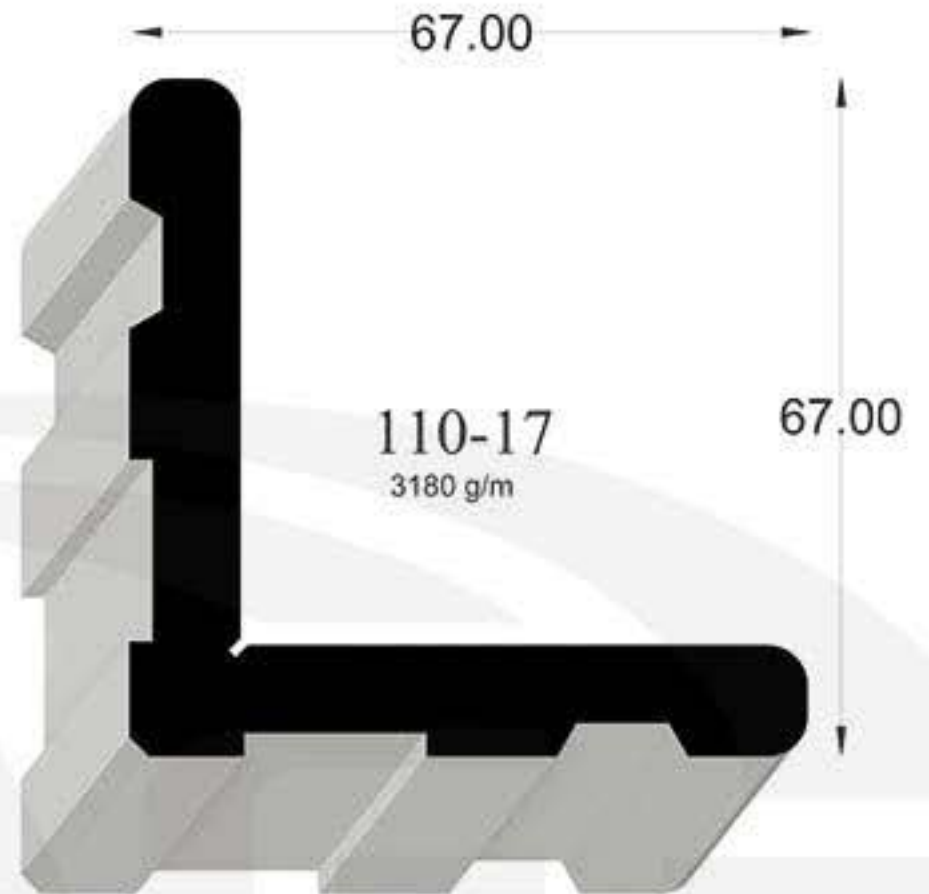
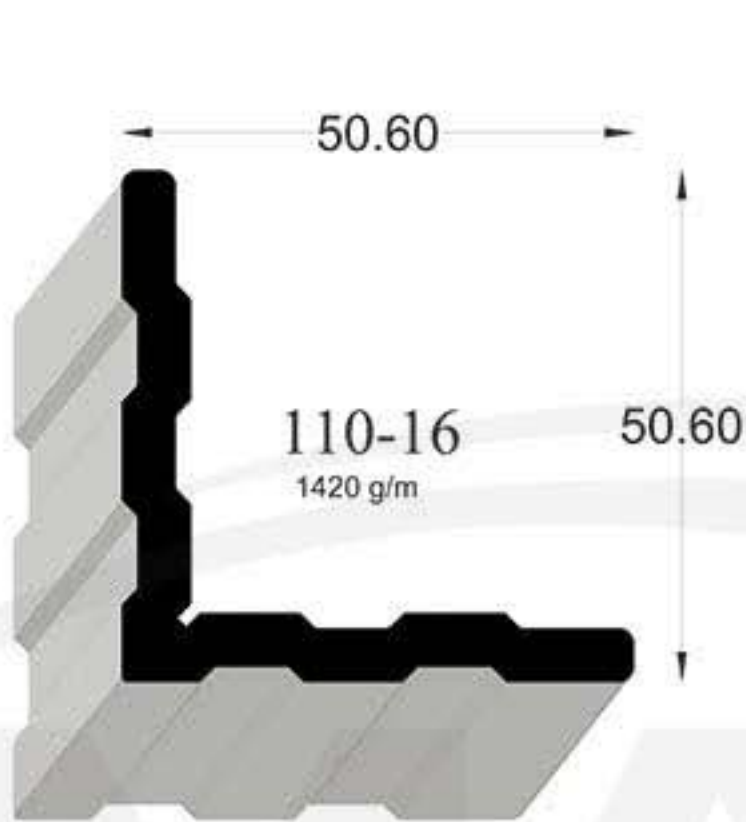


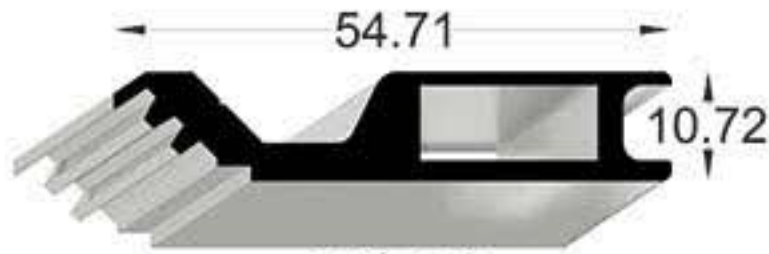




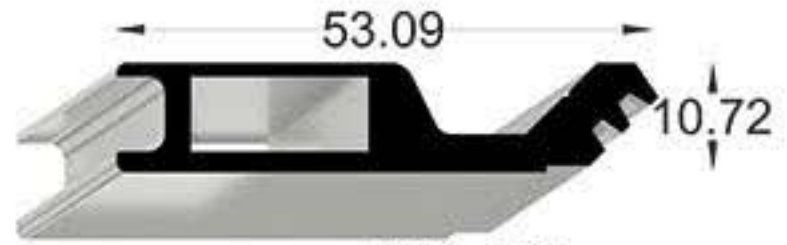




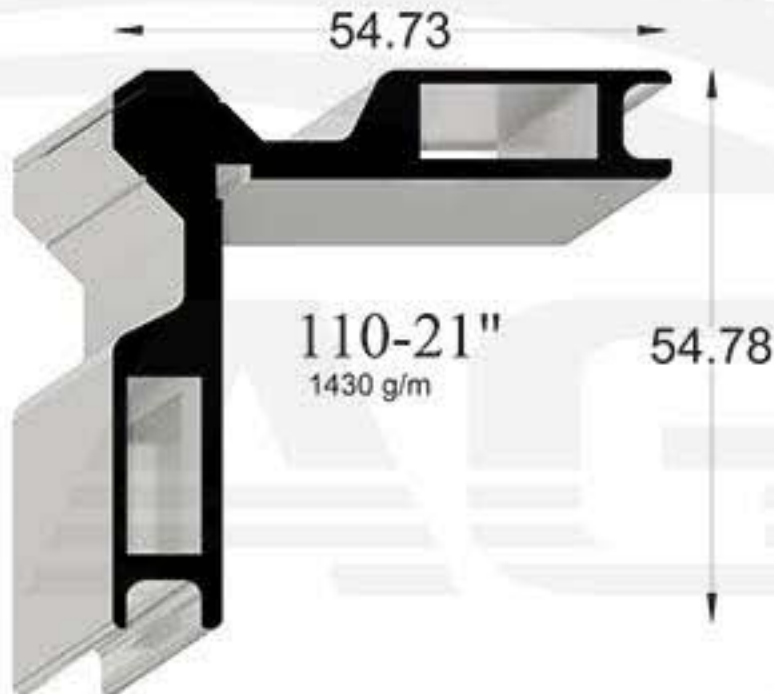




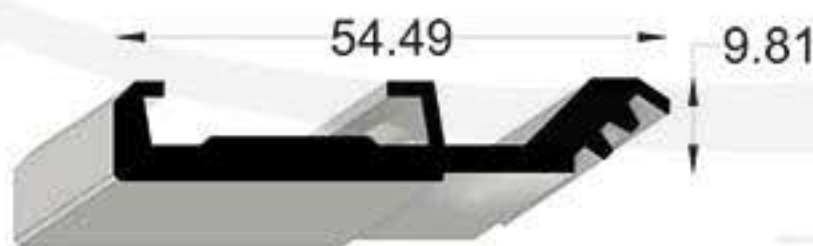
110-20
710 g/m



110-20'
720 g/m



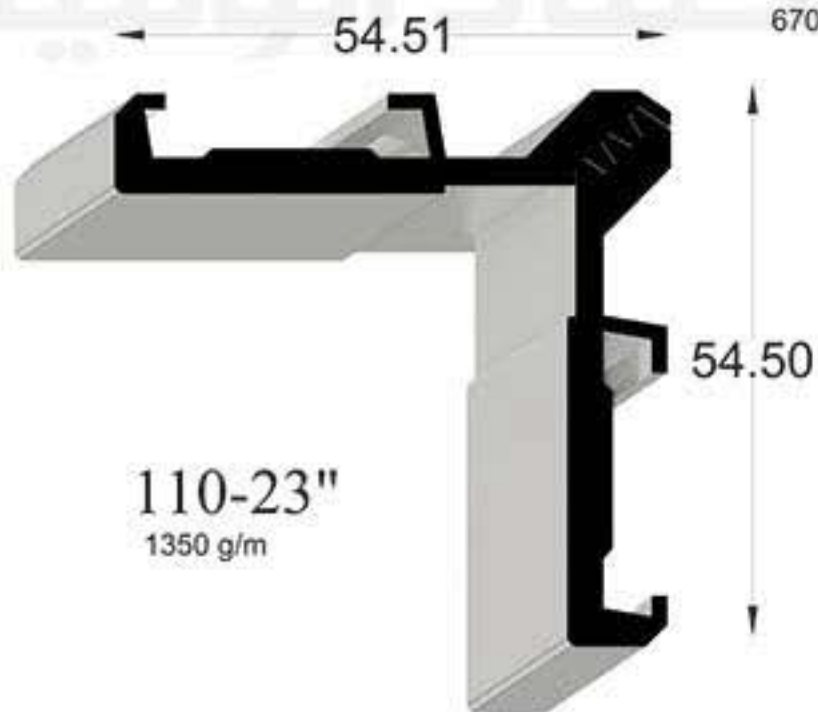
110-21''
1430 g/m



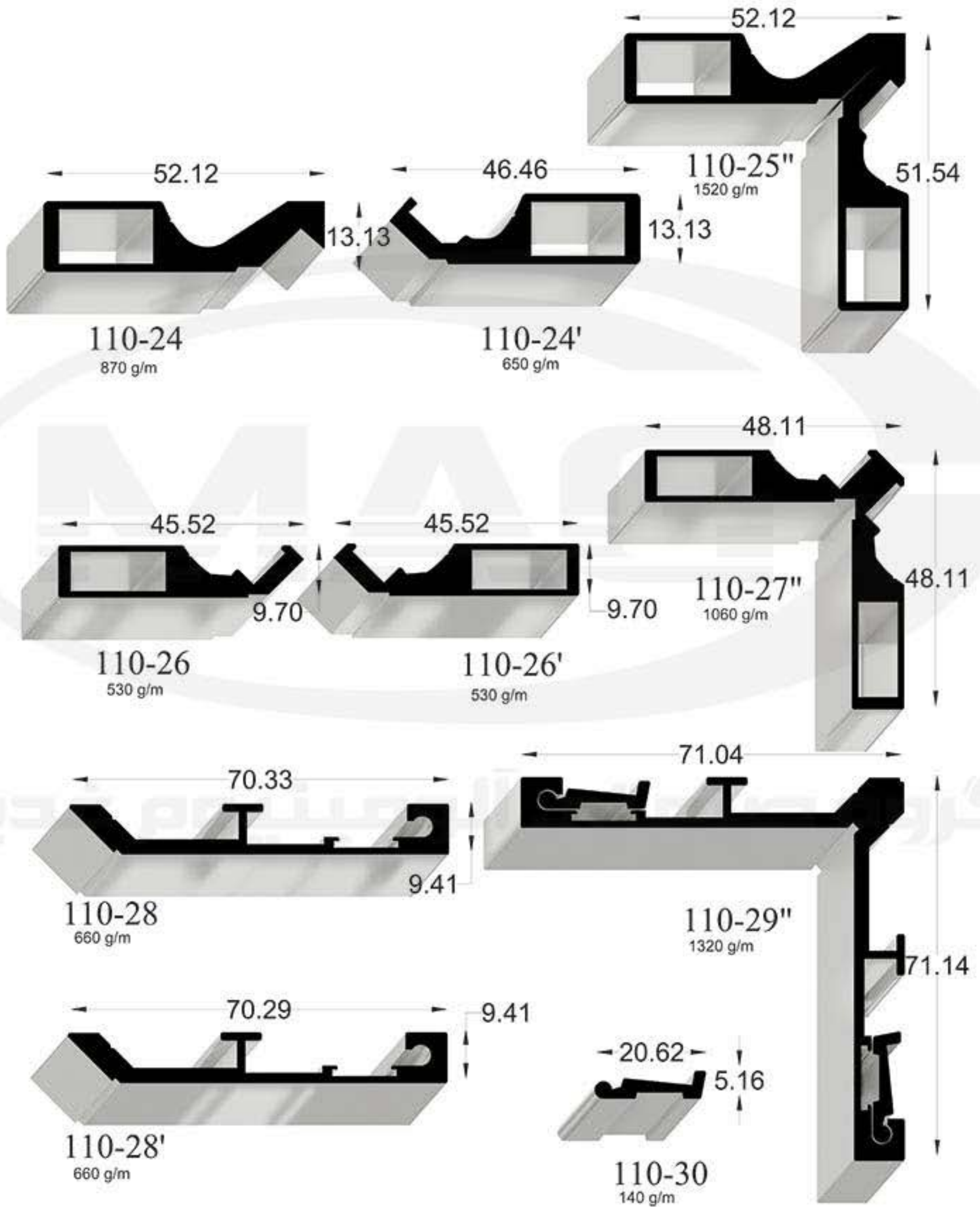
110-22
680 g/m



110-22'
670 g/m



110-23''
1350 g/m





Code 110

GHADIR ALUMINIUM IND. GROUP

